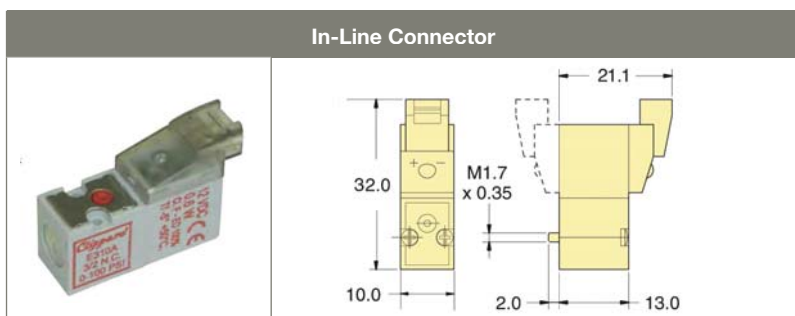
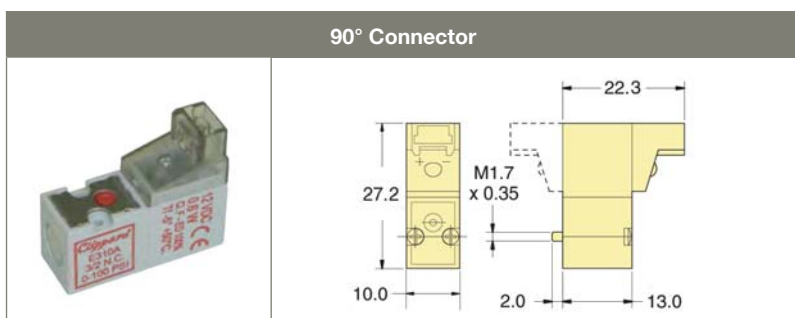
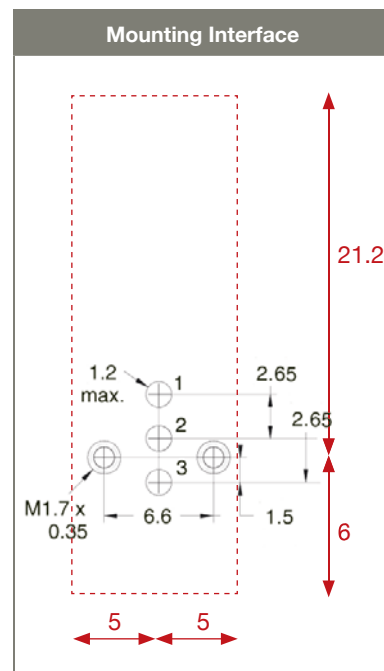
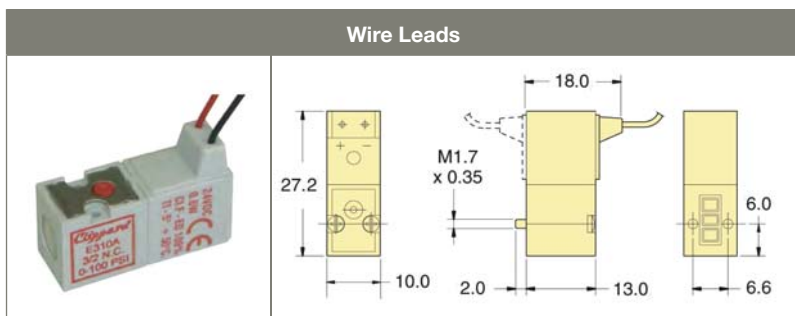


# 54 Electronic Valves – 10 mm Miniature Valves



Electrical Specifications					
Voltage	Voltage Tolerance	Power (watts)	Response Time (Energized)	Response Time (De-Energized)	Coil Insulation Class
12/24 VDC	-5 to 10%	0.6 or 1.3	8 milliseconds	10 milliseconds	155°C

By selecting the appropriate connector type for your 10 mm valve, tight spaces, orientation issues and electrical requirements can be accommodated easily.